

VOLKTEK

HNS-8415P

Unmanaged 4 x 10/100/1000 PoE+ &
1 x 10/100/1000 RJ45 & 1 x GbE SFP Switch

Description

The HNS-8415P is a Unmanaged Hardened PoE+ Ethernet Switch perfectly suited in harsh environments and an ideal solution to deploy in surveillance systems. The switch is designed to meet the requirements of both power and data transmission over single Ethernet cable to PoE appliances and devices without the need for power outlets, eliminating additional cost of electrical cabling and circuits.

The switch's rugged case and hardened components withstand high degree of vibration, shock and wide operating temperatures from -10°C to 60°C. Switch features 5 10/100/1000BASE-T ports and 1 Gigabit SFP slot to satisfy new and evolving network demands in longer distances via its fiber port. With 4 IEEE 802.3at compliant ports, each of them allows to supply up to 30W in controllable ways to satisfy the growing demand of high power consuming network devices such as WLAN AP, VoIP phones and IP surveillance cameras, and other powered devices in long distances up to 100 meters with Cat.5e cables or above.



RoHS CE FC



Features Highlight

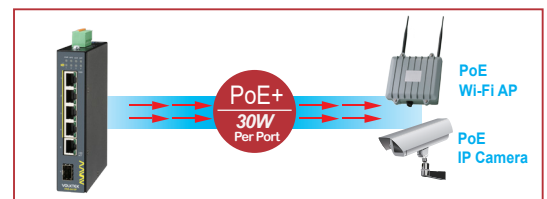
Robust Switch Performance

With a hardened metal case, surge and ESD protection, the HNS-8415P provides a high level of immunity against electromagnetic interference and heavy electrical surges, thus facilitating easy deployment in demanding environments. In addition, the HNS-8415P offers high performance switch architecture with five 10/100/1000BASE-T ports and one Gigabit Ethernet SFP slots to meet the requirements of high-bandwidth access in wide operating temperatures.



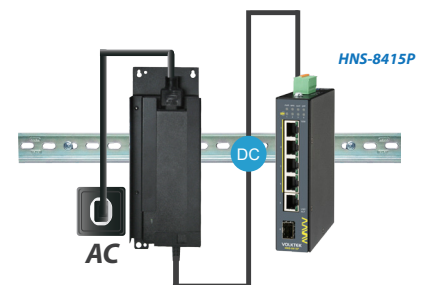
High-Power Budget for PoE Network Devices

To reduce the required time and cost of installing additional electrical sources, the HNS-8415P implements PoE technology. The switch supplies power over the same cable that is used to carry network traffic and delivers a high power budget of 120W to suit various power requirements. Using SNMP and Web interface, the PoE functions on each port can be enabled and disabled to save power and energy.



DIN Rail to Power Adapter (AC to DC) & Terminal Block

The HNS-8415P is ideal solution to prevent the failure of single power circuit, in which provides you options to facilitate the 802.3at High Power PoE usage. Either "DIN-Rail Power Adapter" to convert AC to DC for board operation in an easily and firmly installation with hardened connection to the switch unit OR "Terminal Block" which supports primary (PWR) 48VDC and standby (RPS) 48VDC can be used to powering PoE network. Categorized by its compact design, DIN-Rail Power Adapter can easily fit in smaller infrastructures and is extremely simple in installation. Saving your time and space, this adapter can be easily mounted next to switch unit in surveillance applications that have little space available. The second optional power supply through "Terminal Block" provides a low-cost, simple solution to the problem of an inadvertent failure of the internal power-supply, which can result in the shutdown of switching device, the PoE devices attached to its ports, or an entire network.



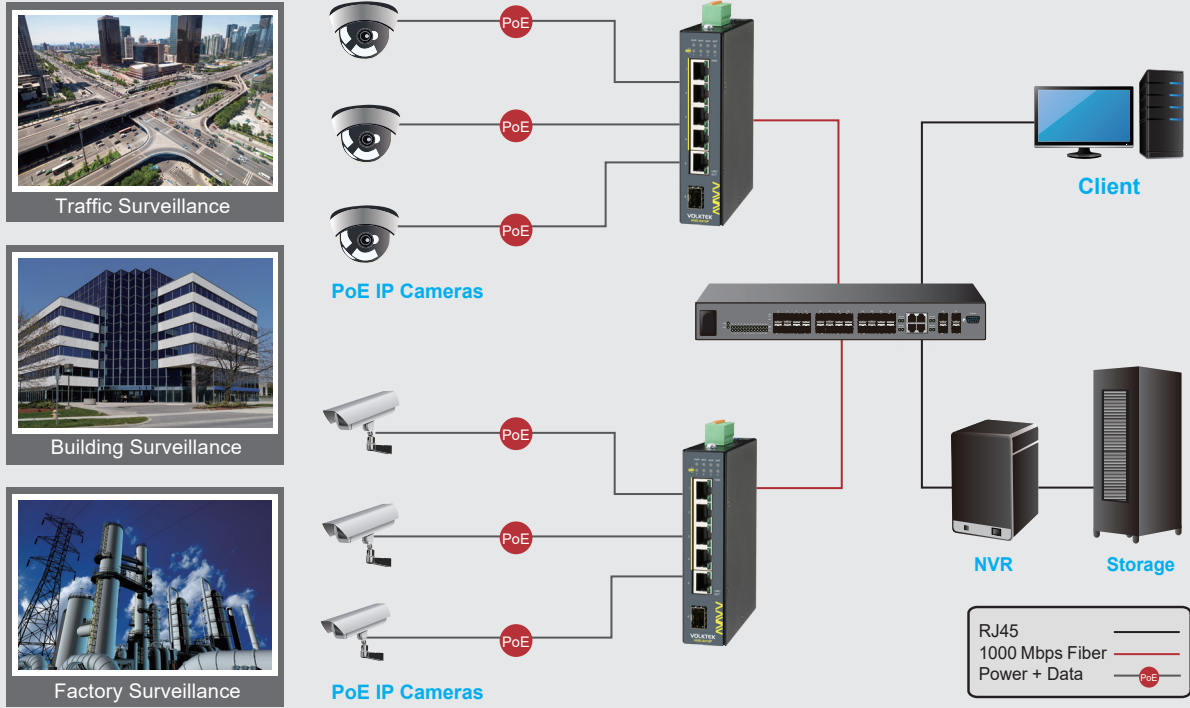
Simplified Installation w/ Compact Size

The HNS-8415P provides varied choice of deployment locations even in small space, harsh environments, quick and easy installation way by its compact size and no configuration required. Every HNS-8415P is equipped with auto MDI/MDI-X on all ports for simple connection to other switches and hubs. When a compliant device is attached, the power supplied will automatically detect and classify to fit the device. With diagnostic LEDs panel, the HNS-8415P allows you to know switch status and simplify troubleshooting.



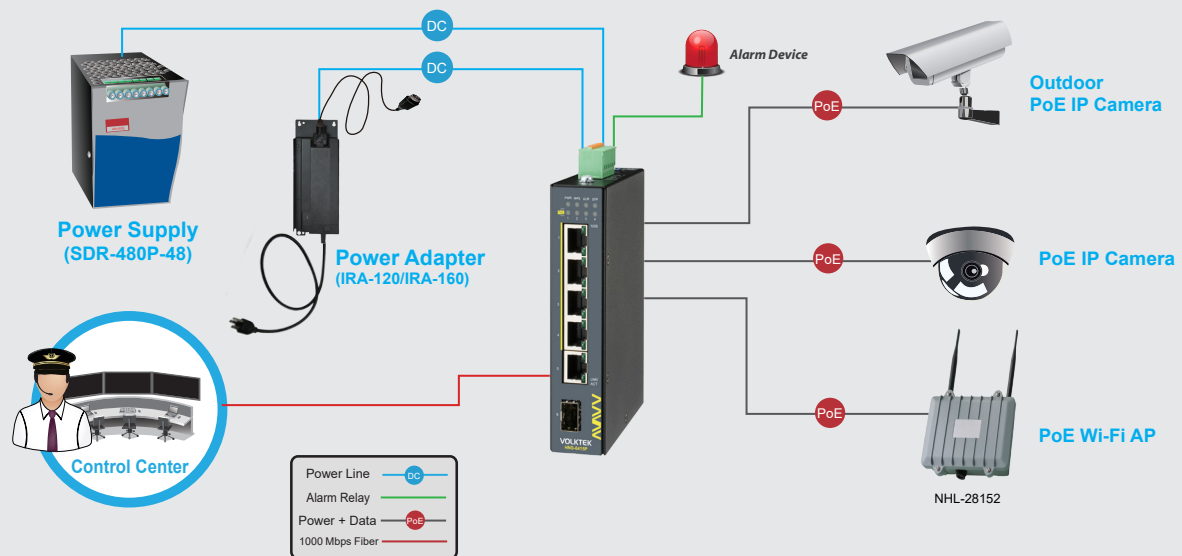
Surveillance Applications

The HNS-8415P combines high-power PoE+, robust performance for surveillance systems in harsh environments. With its compact size, highly reliable and secure features ensure continuous operations in some special requirements for transportation, factory and outdoor places where high vibration degree, shock and wide range temperatures are present.



Applications

The HNS-8415P is compatible with 10/100/1000Mbps through RJ45 transceivers to guarantee a strong, stable connection of Ethernet, Fast Ethernet or Gigabit Ethernet, providing flexible deployment options to satisfy industrial networking requirements



Specifications

Standards	
IEEE 802.3	10BASE-T
IEEE 802.3u	100BASE-TX
IEEE 802.3ab	1000BASE-T
IEEE 802.3z	1000BASE-SX/LX
IEEE 802.3	Nway Auto-negotiation
IEEE 802.3x	Flow Control
IEEE 802.3af	Power over Ethernet
IEEE 802.3at	Power over Ethernet Plus
IEEE 802.1p	Class of Service
Interface	
Ports	4 x 10/100/1000BASE-T (PoE RJ45)
	1 x 10/100/1000BASE-T (RJ45)
	1 x GbE SFP Slot
DIP Switch	Primary/Redundant Power Voltage Drop Alarm setting
LED Panel	PWR, RPS, ALM, SFP, PoE, 1000, LNK/ACT
Features	
Performance	Jumbo frame Size: 10KBytes
	MAC Table Entries: 8K
	Switch Fabric: 12Gbps
Functions	VLAN Passthru
PoE+ Functions	Up to 4 IEEE 802.3at powered devices Supports PoE power up to 30W for each PoE port Auto detect powered device (PD) Remote Power Feeding up to 100m
Power	
Input Voltage	Primary inputs: 48V~57V DC
	Redundant inputs: 48V~57V DC
Connection	Terminal Block, Mini-DIN
Power Consumption	System: 10W PoE Power Budget: 120W
Alarm Relay	One relay output: 1A @ 24V DC

Note :

* The SFP communication distance upon the request.

* Industrial SFP with wide operating temperature from -40°C~85°C (-40°F~185°F) is available upon request.

* Specifications subject to change without notice.

Mechanical and Environment		
Housing	Metal Case (IP30 protection)	
Mounting	DIN-Rail	
Operating Temperature	-10°C~60°C (14°F~140°F)	
Storage Temperature	-40°C~85°C (-40°F~185°F)	
Operating Humidity	5 to 95% RH (non-condensing)	
Storage Humidity	5 to 95% RH (non-condensing)	
Weight	515 g (1.14 lb)	
Dimension (WxHxD)	31 x 136 x 105 mm (1.22 x 5.36 x 4.13 in)	
Certifications		
EMI	FCC Part 15 Subpart B Class A EN 55011 class A EN 55032 class A EN 61000-6-4	
	EN 61000-6-2 EN 55035 EN 61000-4-2 (ESD) EN 61000-4-3 (RS) EN 61000-4-4 (Burst) EN 61000-4-5 (Surge) EN 61000-4-6 (CS) EN 61000-4-8 (PFMF) EN 61000-4-11 (DIPS)	
	Shock	IEC 60068-2-27
	Freefall	IEC 60068-2-32
Vibration	IEC 60068-2-6	
Ordering Information		
HNS-8415P	Unmanaged 4 x 10/100/1000 PoE+ & 1 x 10/100/1000 RJ45 & 1 x GbE SFP Switch	
Optional Accessories		
Power Supply	IRA-160: 160W, 52V, Industrial Grade Power Adapter -30°C~60°C (-22°F~140°F) for 110V AC input / 30°C~70°C (-22°F~158°F) for 220V AC input	
GBM-104	1000BASE-SX 1.25G, Multi-mode SFP, 500 m	
GBM-123TS	1000BASE-LX, Bi-Di SFP TX:1310/RX:1550 Single Mode, 10Km, 0°C~70°C (32°F~158°F)	
GBM-123RS	1000BASE-LX, Bi-Di SFP TX:1550/RX:1310 Single Mode, 10Km, 0°C~70°C (32°F~158°F)	

Dimension

